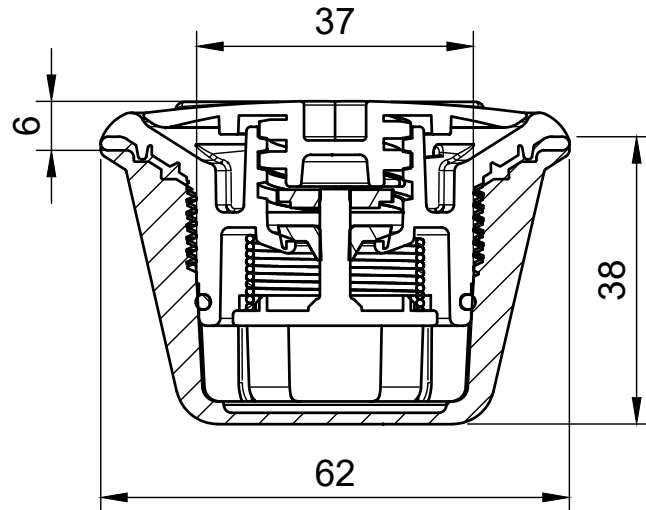
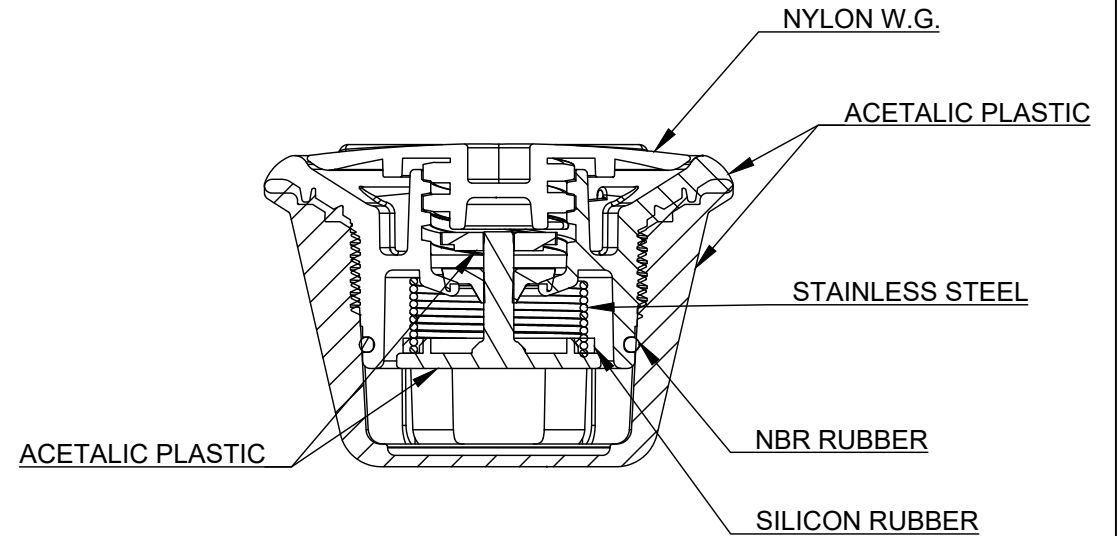


SEC.A-A (1:1)

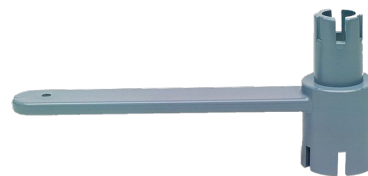


SEC.B-B (1:1)



Key for valve

Art. 721 / A942010N




INSTALLATION

1. Hole required for valve installation $\varnothing 36 \pm 0.5 \text{mm}$
2. Tightening torque = 25Nm
The valve assembly should be re-torqued at least after 12 hours
3. It is user's responsibility to ensure suitability of all types of fluids used during installation or operation with this valve

APPLICABLE STANDARD ISO 15738:2002(E)

VALVES

Item	Part Number	Calibration	Colour	Opening mbar - psi	Closing mbar - psi
VA 100	A080195N	270-230	green/verde	270 - 3.9	230 - 3.3
VA 100	A080196N	300-270	yellow/giallo	300 - 4.3	270 - 3.9
VA 100	A080197N	350-310	rosso/red	350 - 5.1	310 - 4.5

Progettato P.D.	Controllato AA	Cod. Componente SEE TABLE	Data 24/11/2020	Materiale		
 SCOPREGA				VA 100		Massa 0.06 Kg
				A08019XN	Edizione 00	Foglio 1/1